



# 2/3-LEVEL COMPOSITE HEAVY-DUTY

## TROLLEY

MODEL NO: **CX202, CX203**

Thank you for purchasing a Sealey product. Manufactured to a high standard, this product will, if used according to these instructions, and properly maintained, give you years of trouble free performance.

**IMPORTANT:** PLEASE READ THESE INSTRUCTIONS CAREFULLY. NOTE THE SAFE OPERATIONAL REQUIREMENTS, WARNINGS & CAUTIONS. USE THE PRODUCT CORRECTLY AND WITH CARE FOR THE PURPOSE FOR WHICH IT IS INTENDED. FAILURE TO DO SO MAY CAUSE DAMAGE AND/OR PERSONAL INJURY AND WILL INVALIDATE THE WARRANTY. KEEP THESE INSTRUCTIONS SAFE FOR FUTURE USE.



Refer to instructions

### 1. SAFETY

- ✓ Only use on firm, level, unobstructed surfaces which are capable of supporting the trolley plus load.
- ✗ **DO NOT** overload.
- ✓ Always load evenly with the centre of gravity of the load as near the centre as possible.
- ✓ Apply the brakes before commencing work.
- ✗ **DO NOT** stand/ride on the trolley, or allow others to do so.
- ✓ Replace or repair damaged parts. Use only recommended parts. Unauthorised parts may be dangerous and will invalidate the warranty.
- ❑ **WARNING!** Failure to comply with these instructions may result in loss of load, damage to the stand or other property and/or personal injury.
- ❑ **WARNING!** The warnings, cautions and instructions discussed in this instruction manual cannot cover all possible conditions and situations that may occur. It must be understood that common sense and caution are factors which cannot be built into this product, but must be applied by the operator.

### 2. INTRODUCTION

Heavy-duty garage and workshop trolley with a massive 113kg (CX202) 83kg (CX203) capacity per shelf. Manufactured from extra-strong impact resistant plastic. Ideal for a wide variety of applications. Features deep wall shelves and tool storage compartments built into the contoured handle. Fitted with four large rubber wheels, two fixed and two swivel castors.

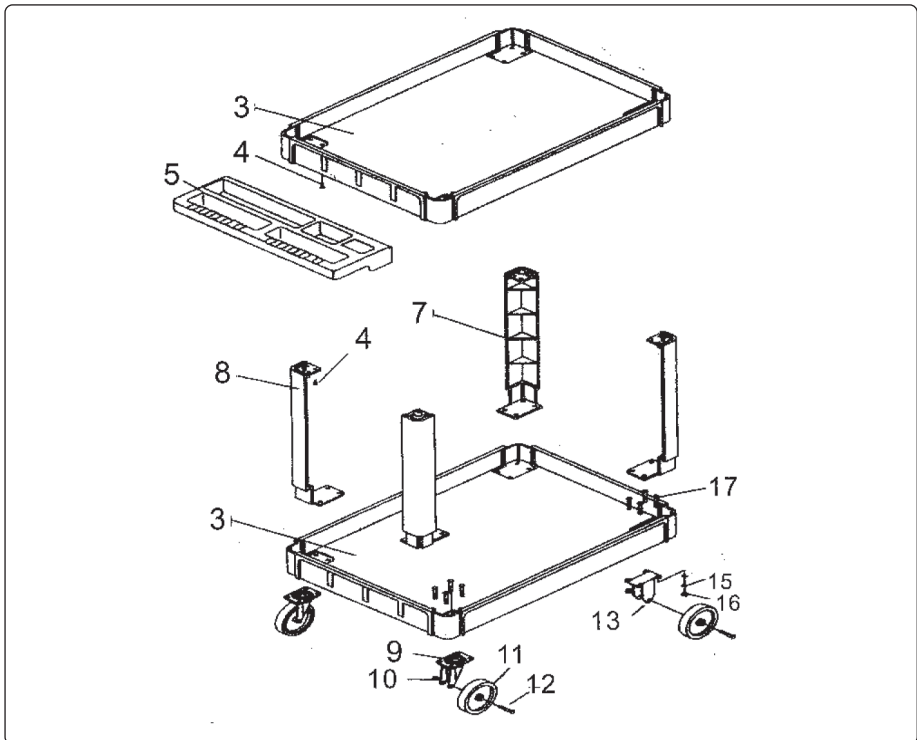
### 3. SPECIFICATION

Model No .....CX202  
 Overall (W x D x H) .....1000 x 440 x 850mm  
 Shelf Size .....790 x 435 x 110mm  
 Capacity ..... 113kg/Level

Model No .....CX203  
 Overall (W x D x H) .....1000 x 440 x 850mm  
 Shelf Size .....790 x 435 x 110mm  
 Capacity ..... 83kg/Level

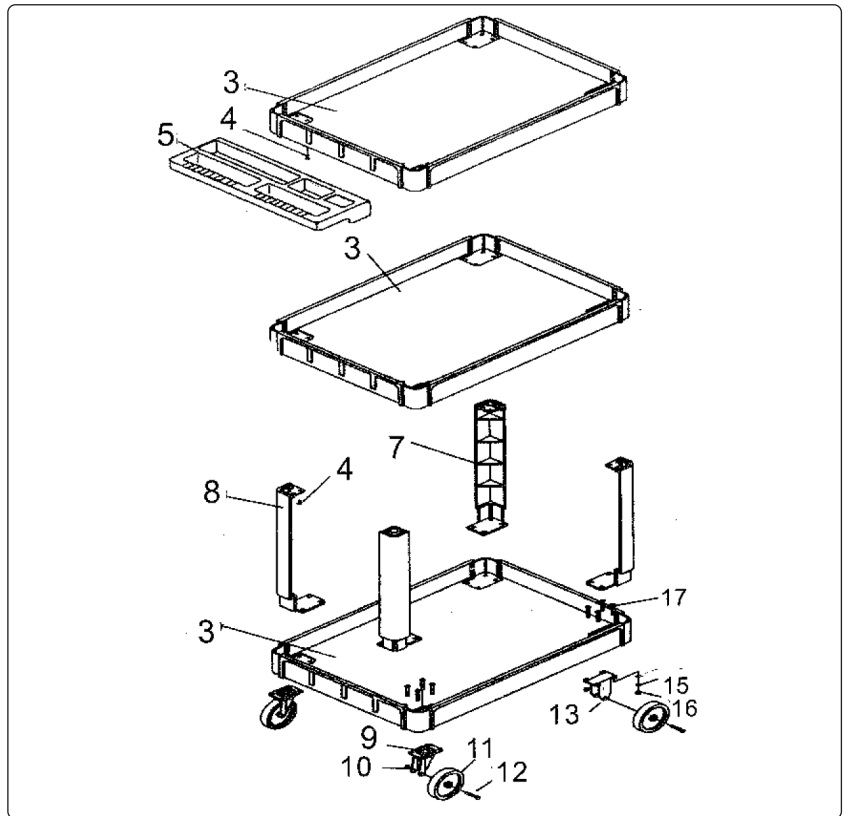
### 4. CONTENTS CX202

No.	Description	Quantity
1	N/A	-
2	N/A	-
3	Shelf	2
4	Screw	8
5	Handle	1
6	N/A	-
7	Leg	2
8	Leg	2
9	Swivel castor frame	2
10	Nut	4
11	Castor	4
12	Screw	4
13	Fixed castor frame	2
14	N/A	-
15	Washer	16
16	Wheel	4
17	Screw	16

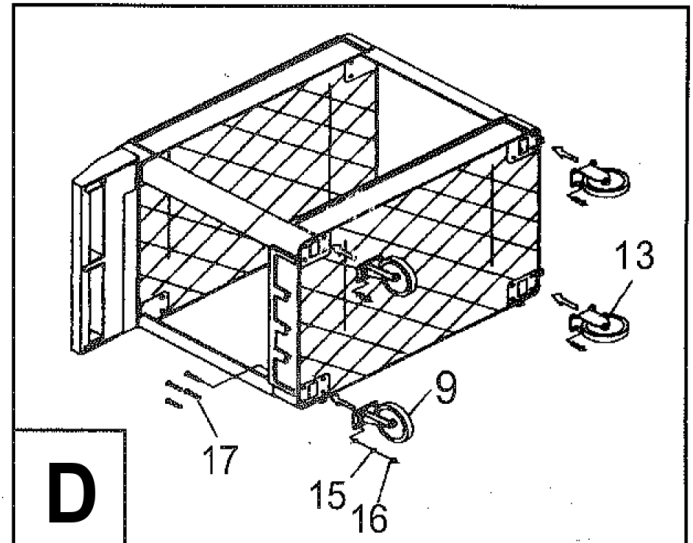
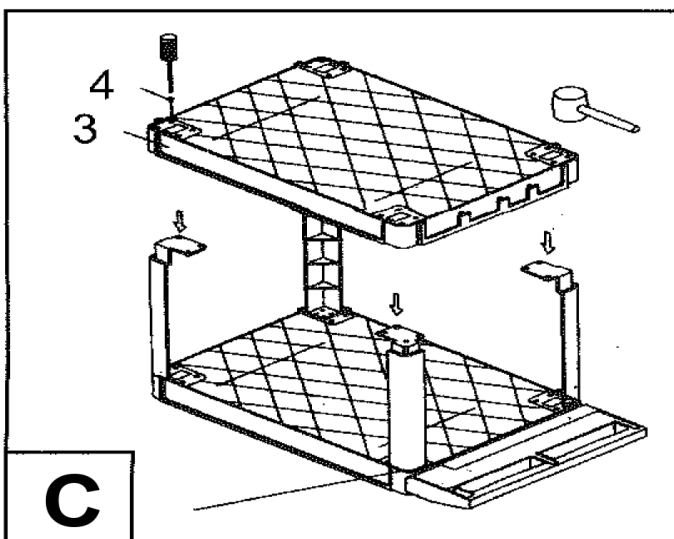
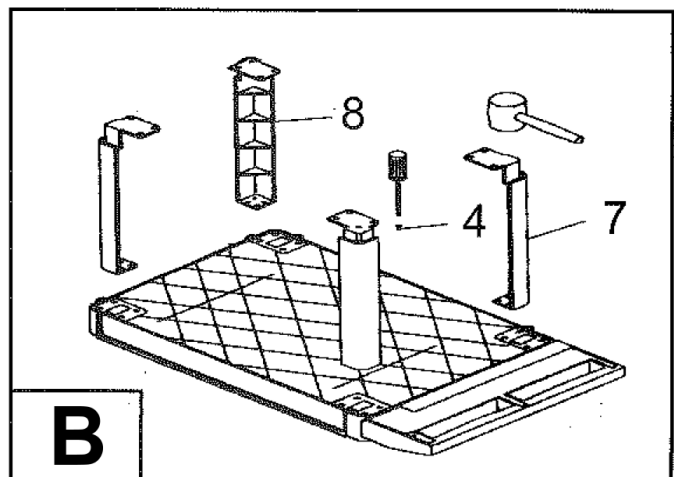
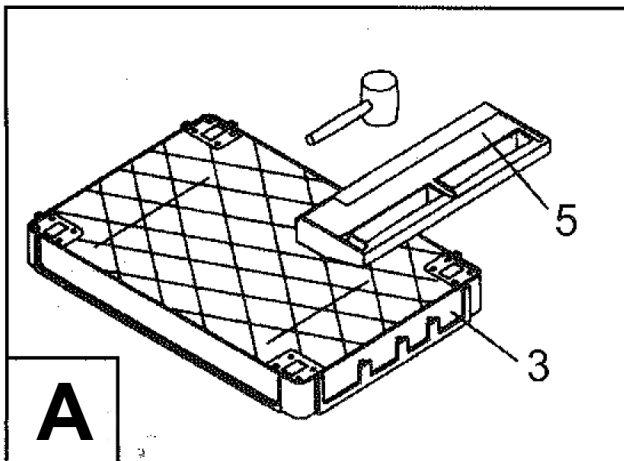


## 5. CONTENTS CX203

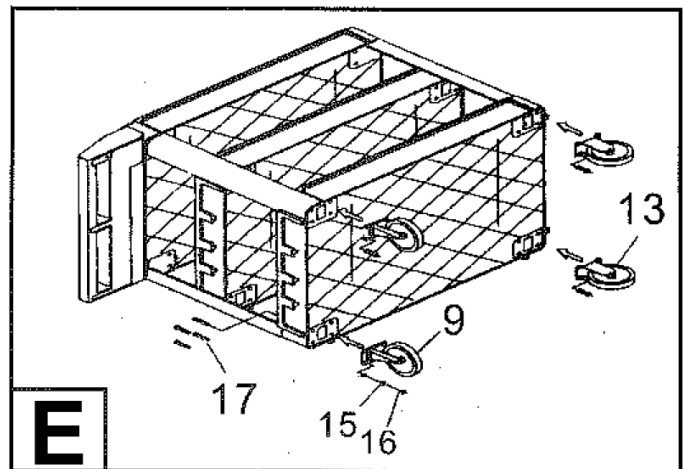
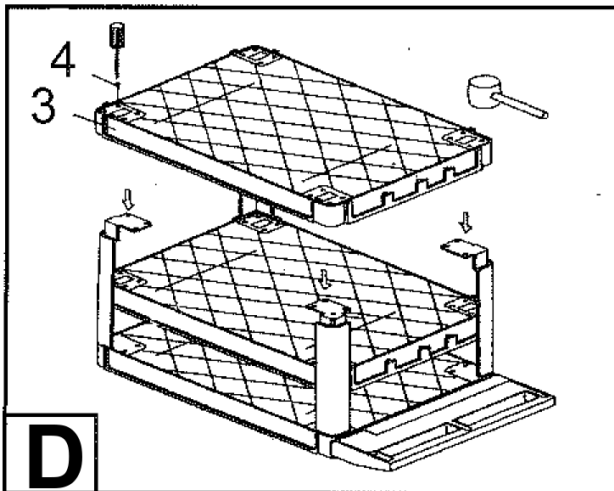
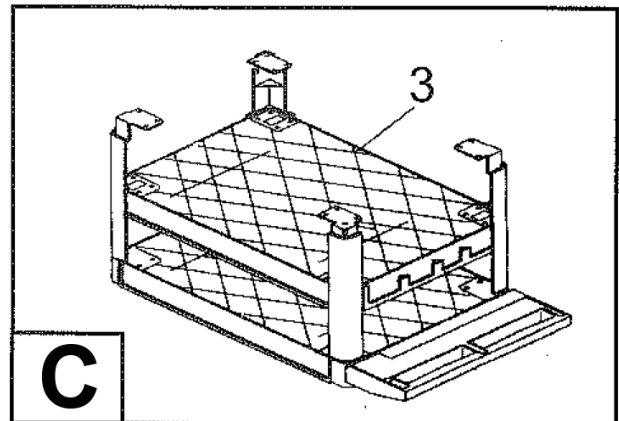
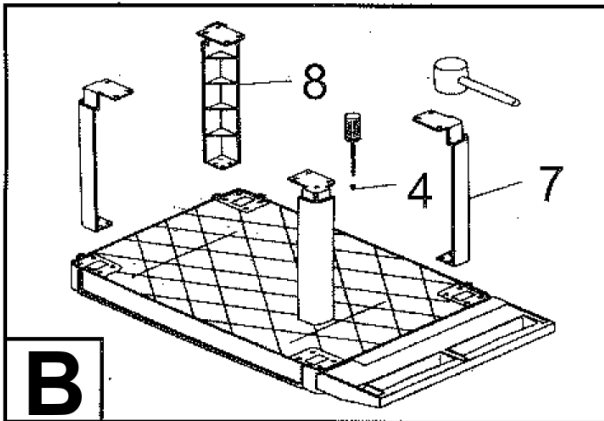
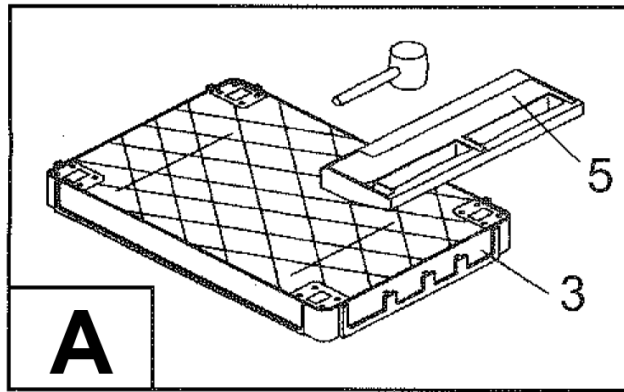
No.	Description	Quantity
1	N/A	-
2	N/A	-
3	Shelf	3
4	Screw	8
5	Handle	1
6	N/A	-
7	Leg	2
8	Leg	2
9	Swivel castor frame	2
10	Nut	4
11	Castor	4
12	Screw	4
13	Fixed castor frame	2
14	N/A	-
15	Washer	16
16	Wheel	4
17	Screw	16



## 6. ASSEMBLY CX203



## 7. ASSEMBLY CX203



Parts support is available for this product. Please email [sales@sealey.co.uk](mailto:sales@sealey.co.uk) or telephone 01284 757500



### ENVIRONMENT PROTECTION

Recycle unwanted materials instead of disposing of them as waste. All tools, accessories and packaging should be sorted, taken to a recycling centre and disposed of in a manner which is compatible with the environment. When the product becomes completely unserviceable and requires disposal, drain any fluids (if applicable) into approved containers and dispose of the product and fluids according to local regulations.

**Note:** It is our policy to continually improve products and as such we reserve the right to alter data, specifications and component parts without prior notice.

**Important:** No Liability is accepted for incorrect use of this product.

**Warranty:** Guarantee is 12 months from purchase date, proof of which is required for any claim.

Sealey Group, Kempson Way, Suffolk Business Park, Bury St Edmunds, Suffolk. IP32 7AR

01284 757500

01284 703534

[sales@sealey.co.uk](mailto:sales@sealey.co.uk)

[www.sealey.co.uk](http://www.sealey.co.uk)